

MN838850

Source Driver for LCD Panel Drive

■ Overview

The MN838850 converts digital display data from a personal computer or an engineering workstation to analog signal voltages to allow those signals to be displayed on a color TFT LCD panel.

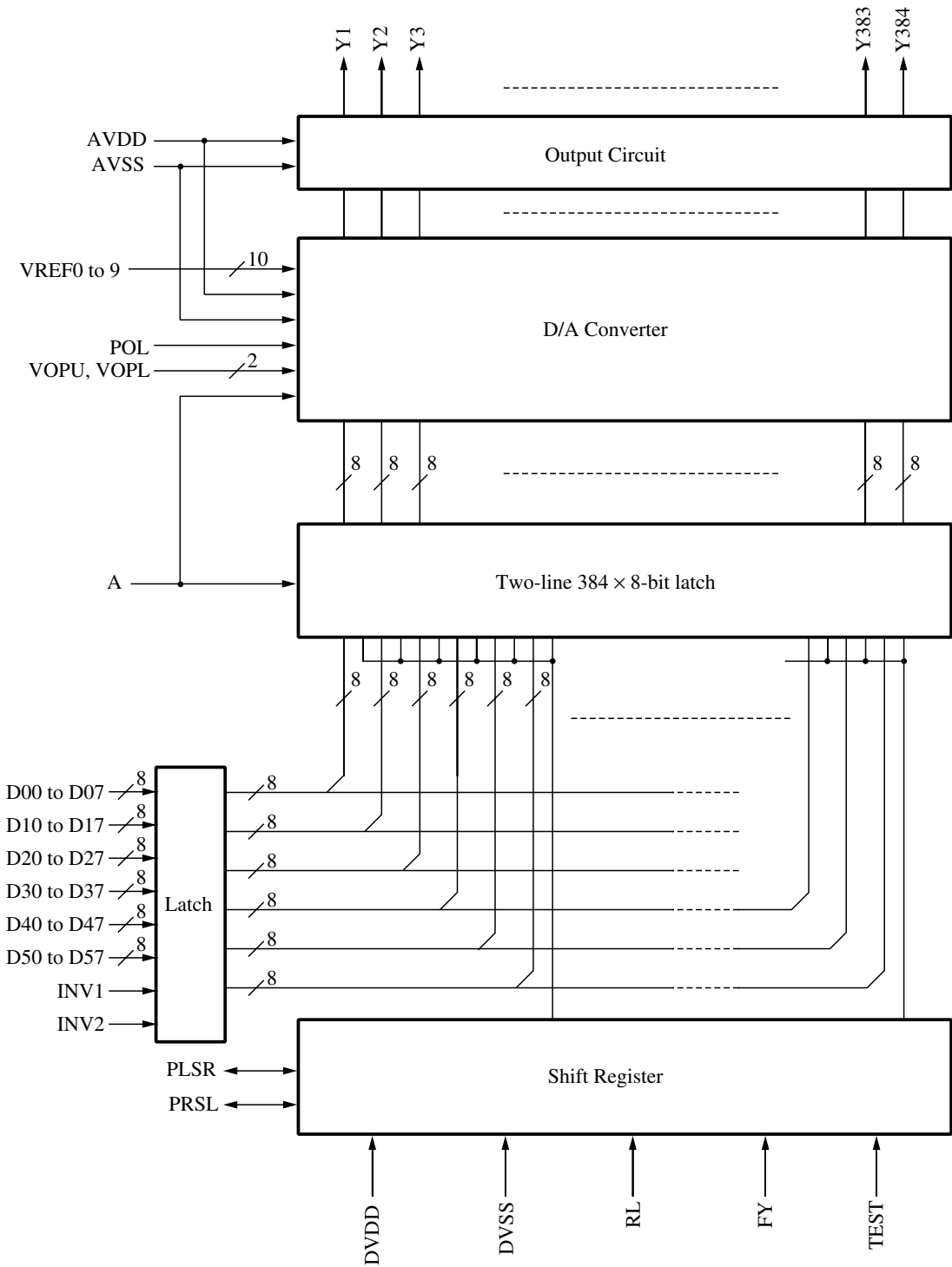
■ Features

- Includes a built-in D/A converter and accepts 8-bit digital input data for 16.7-million color display.
- Output dynamic range: 14.6 V_{P-P} (when AVDD = 15 V)
- Supports both dot inversion drive and source inversion drive schemes.
- Number of drive outputs: 384
- Input data bus: acquires two pixels at the same time
- Supports control of data inversion at each clock cycle.
- Supports γ correction.
- Adopts a drive scheme that does not require precharging.
- Allows serial cascade connection.
- The clock is automatically stopped after the acquisition of a fixed amount of data.
- The shift register shift direction can be set to be either left-to-right or right-to-left.
- Digital circuit block features low-voltage operation:
2.7 to 3.6 V
- Maximum operating clock frequency:
50 MHz (3.1 to 3.6 V), 40 MHz (2.7 to 3.6 V)

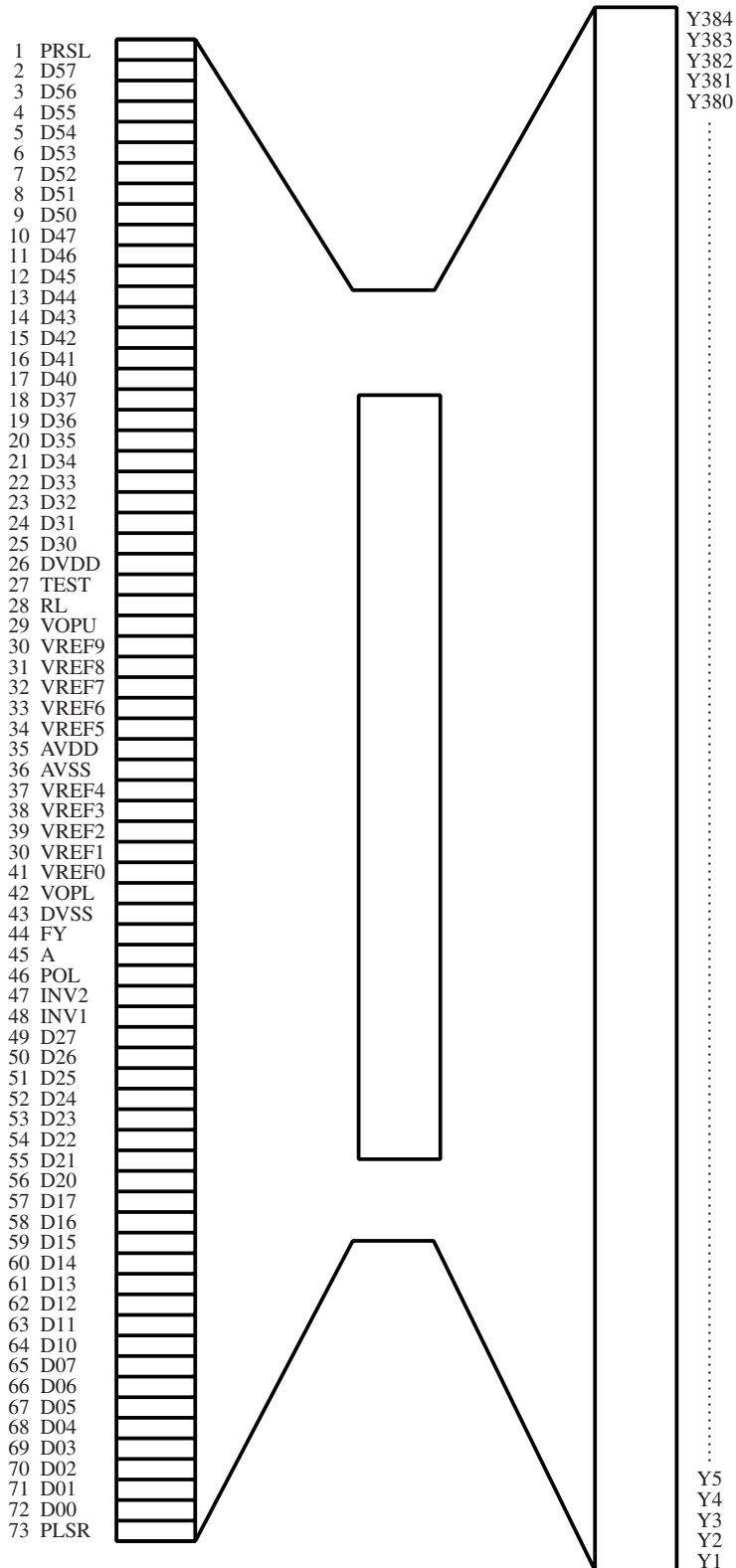
■ Applications

- TFT LCD panels

■ Block Diagram



■ Pin Arrangement



Cu Foil Surface Top View

■ Pin Descriptions

| Pin No. | I/O | Pin Name | Description | | | | | | | | | |
|--|--------------------|---|---|--|----------|----------|------|-------------------|-------------------|------|--------------------|------------------|
| D00 to D07 D10 to D17 D20 to D27 D30 to D37 D40 to D47 D50 to D57 | I | Image data input | Image data input pins. The R, G, and B image signals are input using these pins. D07, D17, D27, D37, D47, D57 : MSB D00, D10, D20, D30, D40, D50 : LSB | | | | | | | | | |
| Y1 to Y384 | O | Image signal output | Analog image signal output pins. | | | | | | | | | |
| PLSR PRSL | I/O | Start pulse input and output | Internal shift register start pulse input and output pins. <table border="1" style="margin-left: auto; margin-right: auto;"> <thead> <tr> <th></th> <th>RL = "H"</th> <th>RL = "L"</th> </tr> </thead> <tbody> <tr> <td>PLSR</td> <td>Right shift input</td> <td>Left shift output</td> </tr> <tr> <td>PRSL</td> <td>Right shift output</td> <td>Left shift input</td> </tr> </tbody> </table> | | RL = "H" | RL = "L" | PLSR | Right shift input | Left shift output | PRSL | Right shift output | Left shift input |
| | RL = "H" | RL = "L" | | | | | | | | | | |
| PLSR | Right shift input | Left shift output | | | | | | | | | | |
| PRSL | Right shift output | Left shift input | | | | | | | | | | |
| RL | I | Shift direction selection signal input | Input signal that selects the shift direction. High: Right shift (Y1 to Y384) Low: Left shift (Y384 to Y1) | | | | | | | | | |
| FY | I | Clock input | Data acquisition clock input pin. | | | | | | | | | |
| A | I | Analog output control | Controls the analog voltage output. | | | | | | | | | |
| POL | I | Output polarity reversal control input | Switches the reference voltage for odd and even outputs. | | | | | | | | | |
| INV1 INV2 | I | Data inversion control input | Controls inversion of the input image signal. INV1: Used for D2(7 : 0), D1(7 : 0), D0(7 : 0) INV2: Used for D5(7 : 0), D4(7 : 0), D3(7 : 0) | | | | | | | | | |
| VREF0 to 9 | I | γ correction voltage input | Inputs the γ correction voltage used by the D/A converter. | | | | | | | | | |
| VOPU, VOPL | I | Analog reference voltage | Provides the reference voltage that determines the analog circuit operating point. VOPU: Reference voltage for the high side output VOPL : Reference voltage for the low side output | | | | | | | | | |
| AVDD AVSS | I | Analog system power supply | Provides the power for the analog circuits. | | | | | | | | | |
| DVDD DVSS | I | Digital system power supply | Provides the power for the digital circuits. | | | | | | | | | |
| TEST | I | Test (Pull-down resistor: 100 k Ω) | Used for device testing. This pin must be left open during normal operation. | | | | | | | | | |

■ Functional Description

- Relationship between the data input and the analog output pins

The input mode used by this IC is a two-pixel mode in which the data for two pixels is input in parallel from the D0(7:0), D1(7:0), D2(7:0), D3(7:0), D4(7:0), and D5(7:0) input ports.

The correspondence between the data input ports and the output pins is as follows.

$$\begin{aligned}
 Y(6n-5) &= D00 \text{ to } D07 & Y(6n-2) &= D30 \text{ to } D37 \\
 Y(6n-4) &= D10 \text{ to } D17 & Y(6n-1) &= D40 \text{ to } D47 \\
 Y(6n-3) &= D20 \text{ to } D27 & Y(6n) &= D50 \text{ to } D57 \quad (n = 1, 2, \dots, 64)
 \end{aligned}$$

Figure 1 shows an example of color data and pin connections when RL is high.

This example shows the case where the pixels are in the order R, B, G starting at the left edge of the LCD panel.

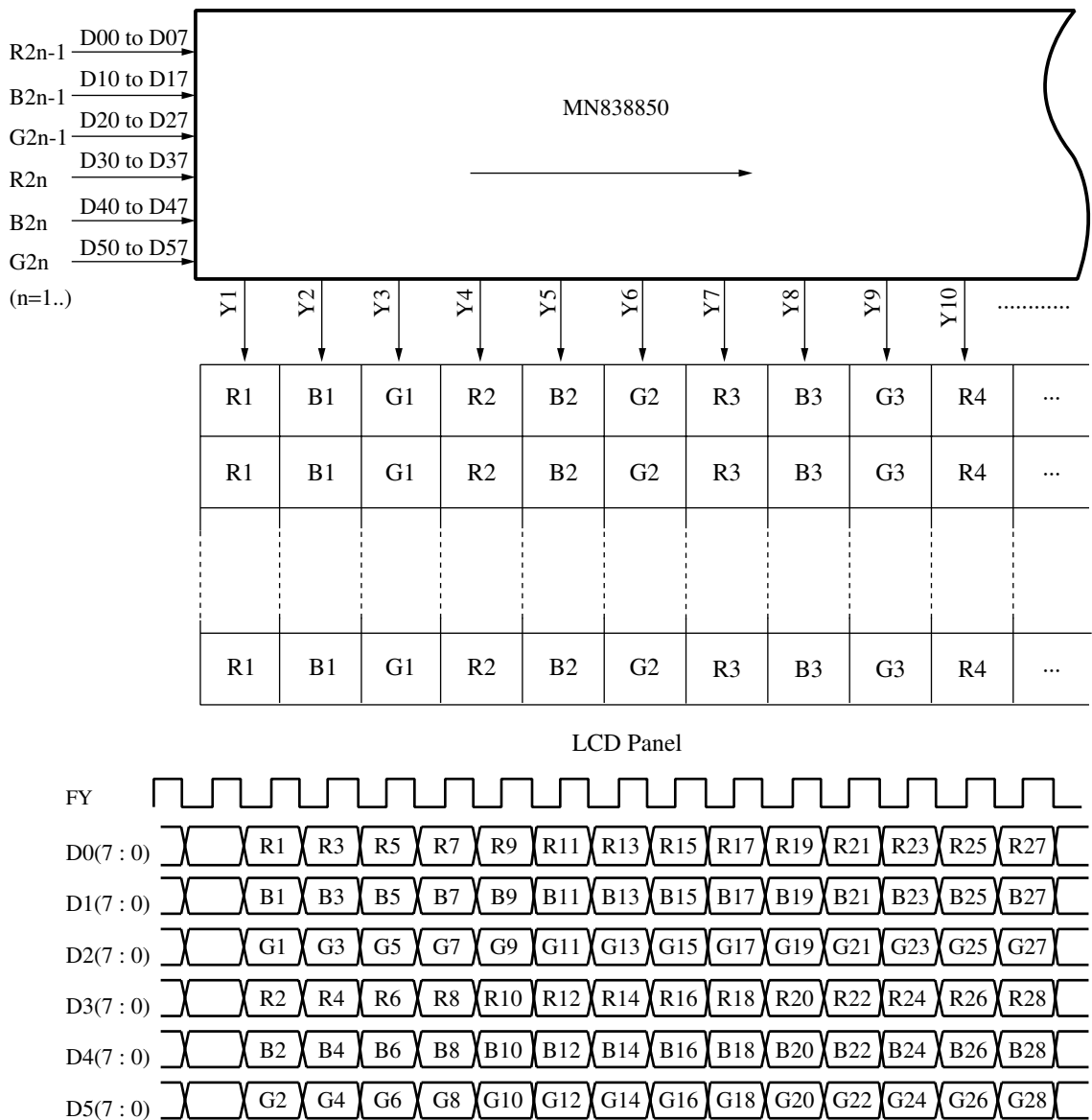


Figure 1 Relationship between Input and Output Pins (When RL is high and the shift direction is Y1 to Y384)

■ Functional Description (continued)

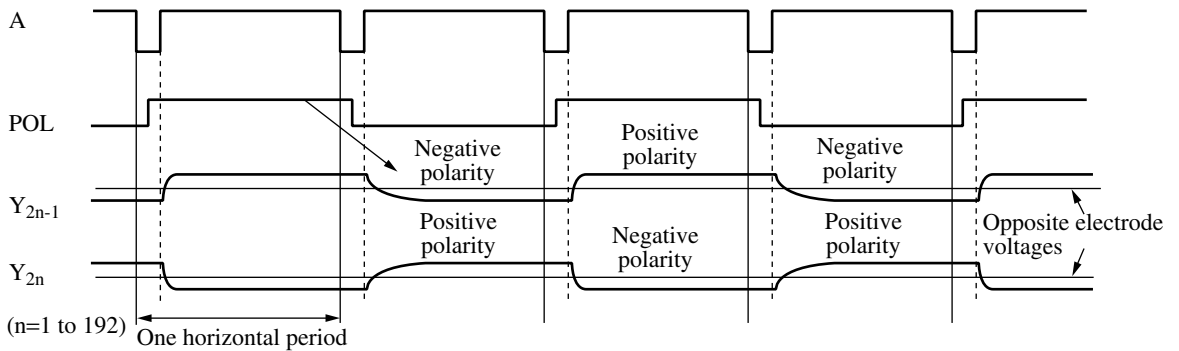
• Dot inversion drive

Since dot inversion drive is used, the analog output voltages with respect to the opposite electrode voltage differ in polarity for each of the odd and even numbered output pins. This output voltage polarity is controlled by POL. The table below lists the correspondence between the POL polarity setting, the analog output polarity and the VREF used.

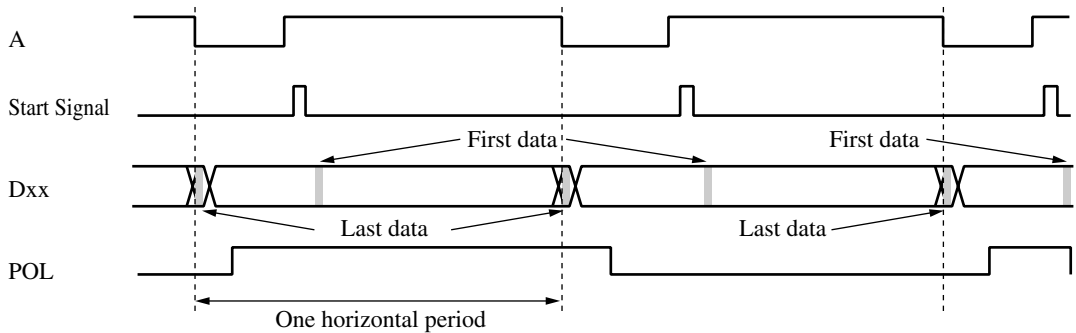
| POL | Y _{2n-1} | Y _{2n} |
|-----|--------------------------------|--------------------------------|
| "L" | Positivepolarity VREF9 to 5 | Negativepolarity VREF4 to 0 |
| "H" | Negativepolarity VREF4 to 0 | Positivepolarity VREF9 to 5 |

The POL switching timing is presented below.

POL should be switched during the period when A is low, after the last data has been input, and before the next start signal has been input. The POL signal level is acquired by the device internally on the falling edge of the A signal. The output polarity is determined by the acquired signal level.



POL Switching Timing



Details of the POL Switching Timing

■ Functional Description (continued)

• Dot inversion drive (continued)

Next we describe dot inversion drive operation.

The symbol "+" here means a voltage that is positive with respect to the voltage on the opposite electrode, and "-" means a voltage that is negative with respect to the voltage on the opposite electrode.

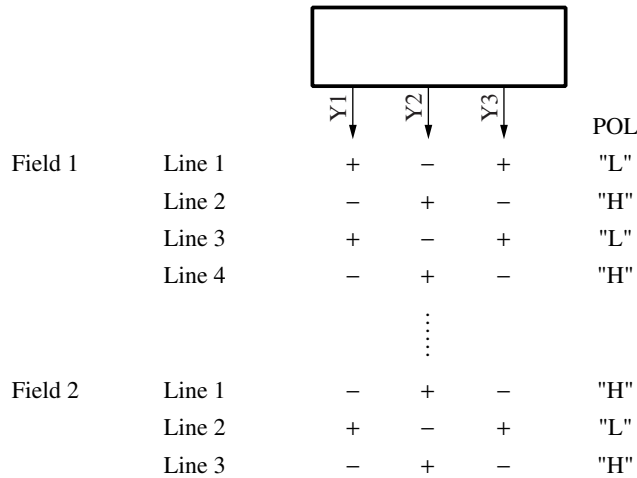
The figure below shows the dot inversion drive operation.

Since POL is low in the first line of the first field, Y1 will be + and Y2 will be -, that is, odd-numbered output pins will have positive polarity and even-numbered output pins will have negative polarity.

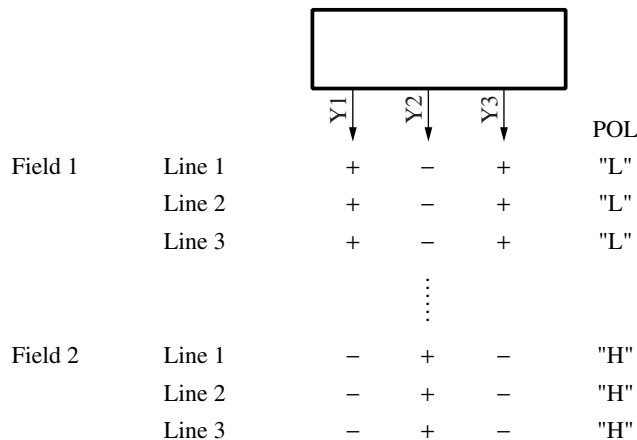
Since POL is switched to high for the second line, odd-numbered output pins will have negative polarity and even-numbered output pins will have positive polarity.

Thereafter, the polarity of the output voltages is determined by the POL polarity.

In the second field, the POL polarity will be the opposite of what it was for the first field, so the output voltage polarities will be reversed.



Note that if POL is inverted not every line, but only every field, the output polarities will be as shown below.



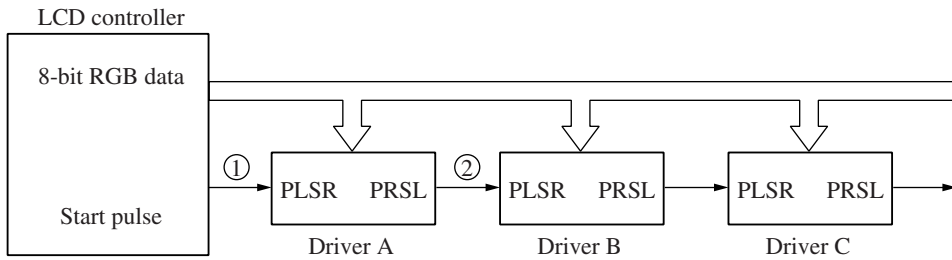
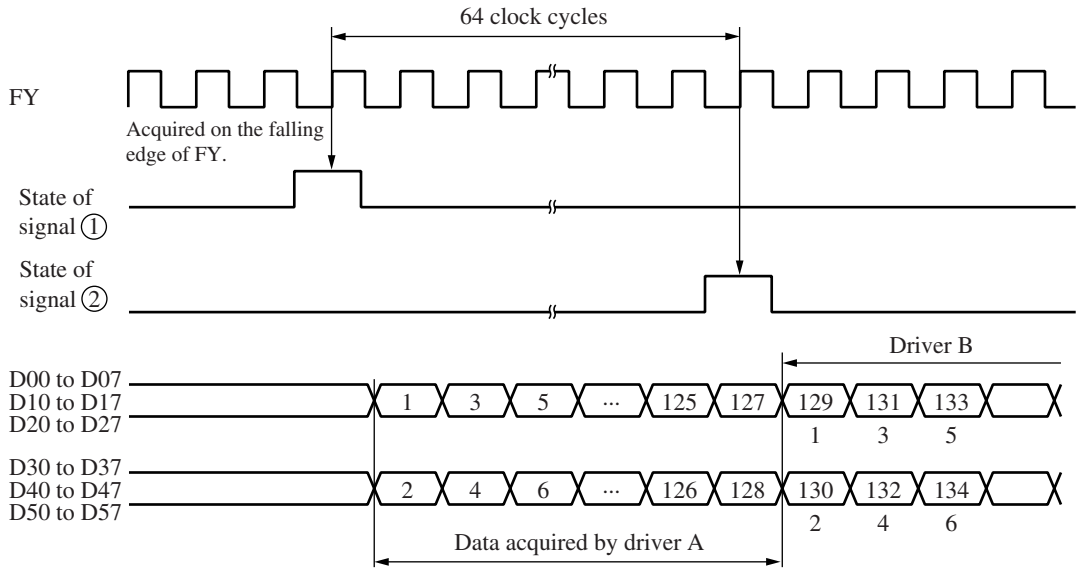
■ Functional Description (continued)

• Operation when Connected in Cascade

When RL is high:

Driver A acquires the PLSR start pulse on the rising edge of FY and starts acquiring data on the next FY rising edge. The PRSL (carry) output will go high 64 clock pulses after the start pulse input and data acquisition will stop one clock cycle later.

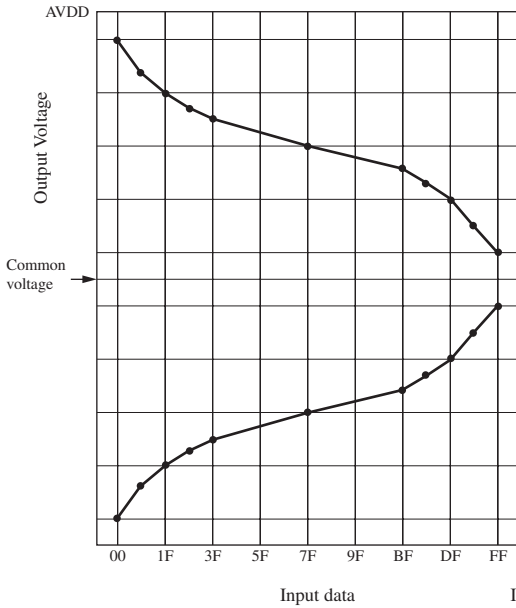
Driver B receives the driver A PRSL rising edge and starts accepting data one clock cycle later.



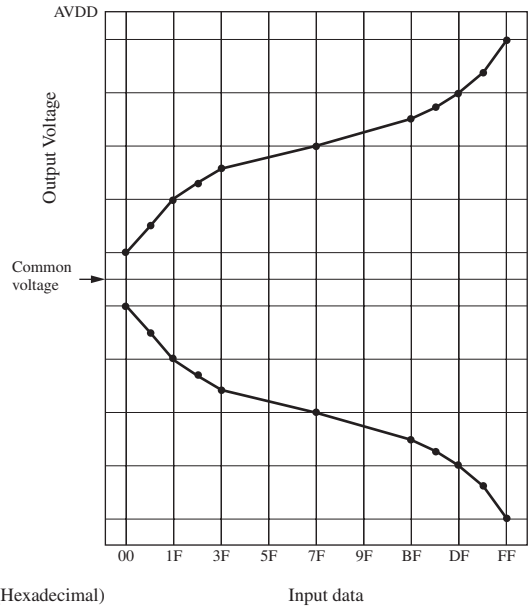
■ Functional Description (continued)

- Relationship between input data values and output voltages

The IC outputs voltages with discrete values and differing polarities for the odd and even output pins with respect to the common electrode. The output voltage is determined by the input data value, the γ correction voltages (VREF0 to VREF9), VOPL, VOPU, and POL.



Relationship between Input Data and Output Voltage
 (VREF0 > VREF1 > VREF2 > VREF3 > VREF4,
 VREF5 > VREF6 > VREF7 > VREF8 > VREF9)



Relationship between Input Data and Output Voltage
 (VREF0 < VREF1 < VREF2 < VREF3 < VREF4,
 VREF5 < VREF6 < VREF7 < VREF8 < VREF9)

■ Functional Description (continued)

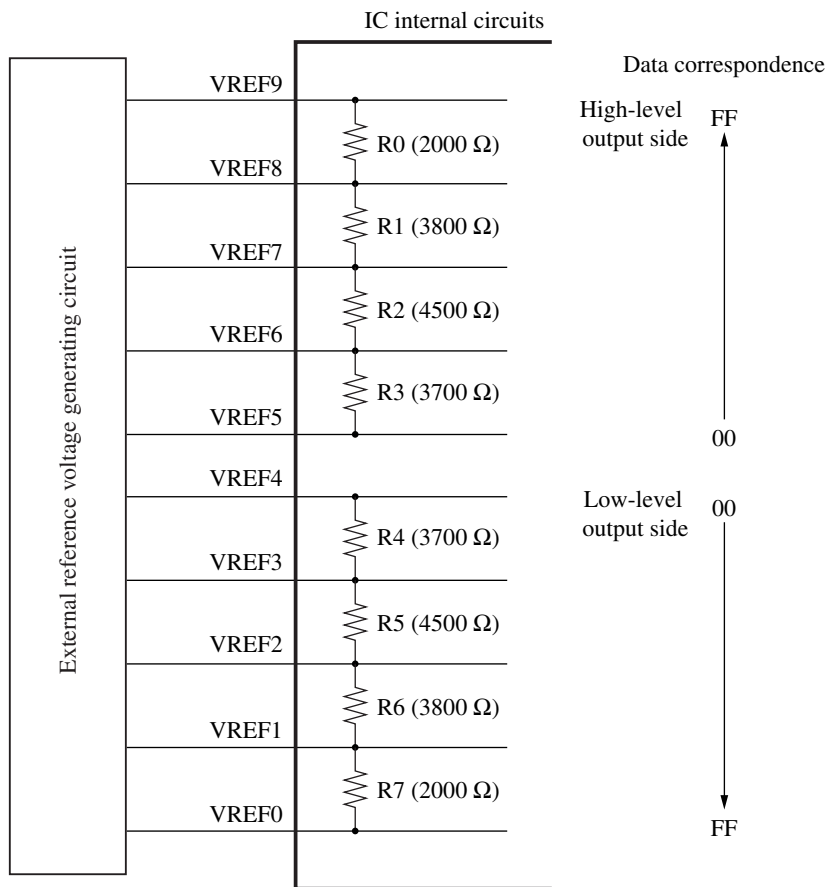
- Relationship between input data values and output voltages (continued)

Apply the voltages for the γ correction to the pins VREF0 to VREF9.

The γ correction voltage input pins are divided into two groups: the high-level output control group and the low-level output control group, and each group is connected in series with resistors. Each of these resistor series has a total typical value of 14 k Ω .

This structure is shown in the figure. The typical values of the resistors are shown in parentheses.

Note that since these voltages are resistor divided internally, the voltages applied to the VREF pins should be applied through a low-impedance circuit. If the voltages are directly applied by the resistor divider, the desired output voltages may not result.



■ Functional Description (continued)

- Table 1 Relationship between VREF Voltages and Analog Output Voltages (High-level side) (Values are examples)
VREF5 = 9.200, VREF6 = 10.635, VREF7 = 12.380, VREF8 = 13.854, VREF9 = 14.630, VOPU = 11.250

| Display data | Logical expression | Voltage level | Voltage level difference |
|--------------|--|---------------|--------------------------|
| 00 | $VOPU \times 63/31 - (42 \times VREF8 + 1238 \times VREF9) / 1240$ | 7.787 | 0.026 |
| 01 | $VOPU \times 63/31 - (84 \times VREF8 + 1196 \times VREF9) / 1240$ | 7.813 | 0.026 |
| 02 | $VOPU \times 63/31 - (126 \times VREF8 + 1154 \times VREF9) / 1240$ | 7.839 | 0.026 |
| ⋮ | | | |
| 0D | $VOPU \times 63/31 - (588 \times VREF8 + 692 \times VREF9) / 1240$ | 8.128 | 0.026 |
| 0E | $VOPU \times 63/31 - (630 \times VREF8 + 650 \times VREF9) / 1240$ | 8.155 | 0.026 |
| 0F | $VOPU \times 63/31 - (672 \times VREF8 + 608 \times VREF9) / 1240$ | 8.181 | 0.023 |
| 10 | $VOPU \times 63/31 - (710 \times VREF8 + 570 \times VREF9) / 1240$ | 8.205 | 0.023 |
| 11 | $VOPU \times 63/31 - (748 \times VREF8 + 532 \times VREF9) / 1240$ | 8.228 | 0.023 |
| 12 | $VOPU \times 63/31 - (786 \times VREF8 + 494 \times VREF9) / 1240$ | 8.252 | 0.023 |
| ⋮ | | | |
| 1D | $VOPU \times 63/31 - (1204 \times VREF8 + 76 \times VREF9) / 1240$ | 8.514 | 0.023 |
| 1E | $VOPU \times 63/31 - (1242 \times VREF8 + 38 \times VREF9) / 1240$ | 8.537 | 0.023 |
| 1F | $VOPU \times 63/31 - (1280 \times VREF8 + 0 \times VREF9) / 1240$ | 8.561 | 0.020 |
| 20 | $VOPU \times 63/31 - (32 \times VREF7 + 2400 \times VREF8) / 2356$ | 8.581 | 0.020 |
| 21 | $VOPU \times 63/31 - (64 \times VREF7 + 2368 \times VREF8) / 2356$ | 8.601 | 0.020 |
| 22 | $VOPU \times 63/31 - (96 \times VREF7 + 2336 \times VREF8) / 2356$ | 8.621 | 0.020 |
| ⋮ | | | |
| 2D | $VOPU \times 63/31 - (448 \times VREF7 + 1984 \times VREF8) / 2356$ | 8.841 | 0.020 |
| 2E | $VOPU \times 63/31 - (480 \times VREF7 + 1952 \times VREF8) / 2356$ | 8.861 | 0.020 |
| 2F | $VOPU \times 63/31 - (512 \times VREF7 + 1920 \times VREF8) / 2356$ | 8.882 | 0.016 |
| 30 | $VOPU \times 63/31 - (538 \times VREF7 + 1894 \times VREF8) / 2356$ | 8.898 | 0.016 |
| 31 | $VOPU \times 63/31 - (564 \times VREF7 + 1868 \times VREF8) / 2356$ | 8.914 | 0.016 |
| 32 | $VOPU \times 63/31 - (590 \times VREF7 + 1842 \times VREF8) / 2356$ | 8.930 | 0.016 |
| ⋮ | | | |
| 3D | $VOPU \times 63/31 - (876 \times VREF7 + 1556 \times VREF8) / 2356$ | 9.109 | 0.016 |
| 3E | $VOPU \times 63/31 - (902 \times VREF7 + 1530 \times VREF8) / 2356$ | 9.125 | 0.016 |
| 3F | $VOPU \times 63/31 - (928 \times VREF7 + 1504 \times VREF8) / 2356$ | 9.142 | 0.015 |
| 40 | $VOPU \times 63/31 - (953 \times VREF7 + 1479 \times VREF8) / 2356$ | 9.157 | 0.015 |
| 41 | $VOPU \times 63/31 - (978 \times VREF7 + 1454 \times VREF8) / 2356$ | 9.173 | 0.015 |
| 42 | $VOPU \times 63/31 - (1003 \times VREF7 + 1429 \times VREF8) / 2356$ | 9.189 | 0.015 |
| ⋮ | | | |
| 4D | $VOPU \times 63/31 - (1278 \times VREF7 + 1154 \times VREF8) / 2356$ | 9.361 | 0.015 |
| 4E | $VOPU \times 63/31 - (1303 \times VREF7 + 1129 \times VREF8) / 2356$ | 9.376 | 0.015 |
| 4F | $VOPU \times 63/31 - (1328 \times VREF7 + 1104 \times VREF8) / 2356$ | 9.392 | 0.015 |

■ Functional Description (continued)

- Table 1 (continued) Relationship between VREF Voltages and Analog Output Voltages (High-level side) (Values are examples)
VREF5 = 9.200, VREF6 = 10.635, VREF7 = 12.380, VREF8 = 13.854, VREF9 = 14.630, VOPU = 11.250

| Display data | Logical expression | Voltage level | Voltage level difference |
|--------------|--|---------------|--------------------------|
| 50 | $VOPU \times 63/31 - (1353 \times VREF7 + 1079 \times VREF8) / 2356$ | 9.408 | 0.015 |
| 51 | $VOPU \times 63/31 - (1378 \times VREF7 + 1054 \times VREF8) / 2356$ | 9.423 | 0.015 |
| 52 | $VOPU \times 63/31 - (1403 \times VREF7 + 1029 \times VREF8) / 2356$ | 9.439 | 0.015 |
| ⋮ | | | |
| 5D | $VOPU \times 63/31 - (1678 \times VREF7 + 754 \times VREF8) / 2356$ | 9.611 | 0.015 |
| 5E | $VOPU \times 63/31 - (1703 \times VREF7 + 729 \times VREF8) / 2356$ | 9.627 | 0.015 |
| 5F | $VOPU \times 63/31 - (1728 \times VREF7 + 704 \times VREF8) / 2356$ | 9.642 | 0.013 |
| 60 | $VOPU \times 63/31 - (1750 \times VREF7 + 682 \times VREF8) / 2356$ | 9.656 | 0.013 |
| 61 | $VOPU \times 63/31 - (1772 \times VREF7 + 660 \times VREF8) / 2356$ | 9.670 | 0.013 |
| 62 | $VOPU \times 63/31 - (1794 \times VREF7 + 638 \times VREF8) / 2356$ | 9.683 | 0.013 |
| ⋮ | | | |
| 6D | $VOPU \times 63/31 - (2036 \times VREF7 + 396 \times VREF8) / 2356$ | 9.835 | 0.013 |
| 6E | $VOPU \times 63/31 - (2058 \times VREF7 + 374 \times VREF8) / 2356$ | 9.849 | 0.013 |
| 6F | $VOPU \times 63/31 - (2080 \times VREF7 + 352 \times VREF8) / 2356$ | 9.862 | 0.013 |
| 70 | $VOPU \times 63/31 - (2102 \times VREF7 + 330 \times VREF8) / 2356$ | 9.876 | 0.013 |
| 71 | $VOPU \times 63/31 - (2124 \times VREF7 + 308 \times VREF8) / 2356$ | 9.890 | 0.013 |
| 72 | $VOPU \times 63/31 - (2146 \times VREF7 + 286 \times VREF8) / 2356$ | 9.904 | 0.013 |
| ⋮ | | | |
| 7D | $VOPU \times 63/31 - (2388 \times VREF7 + 44 \times VREF8) / 2356$ | 10.055 | 0.013 |
| 7E | $VOPU \times 63/31 - (2410 \times VREF7 + 22 \times VREF8) / 2356$ | 10.069 | 0.013 |
| 7F | $VOPU \times 63/31 - (2432 \times VREF7 + 0 \times VREF8) / 2356$ | 10.083 | 0.013 |
| 80 | $VOPU \times 63/31 - (11 \times VREF6 + 1429 \times VREF7) / 1395$ | 10.096 | 0.013 |
| 81 | $VOPU \times 63/31 - (22 \times VREF6 + 1418 \times VREF7) / 1395$ | 10.110 | 0.013 |
| 82 | $VOPU \times 63/31 - (33 \times VREF6 + 1407 \times VREF7) / 1395$ | 10.124 | 0.013 |
| ⋮ | | | |
| 8D | $VOPU \times 63/31 - (154 \times VREF6 + 1286 \times VREF7) / 1395$ | 10.275 | 0.013 |
| 8E | $VOPU \times 63/31 - (165 \times VREF6 + 1275 \times VREF7) / 1395$ | 10.289 | 0.013 |
| 8F | $VOPU \times 63/31 - (176 \times VREF6 + 1264 \times VREF7) / 1395$ | 10.303 | 0.013 |
| 90 | $VOPU \times 63/31 - (187 \times VREF6 + 1253 \times VREF7) / 1395$ | 10.317 | 0.013 |
| 91 | $VOPU \times 63/31 - (198 \times VREF6 + 1242 \times VREF7) / 1395$ | 10.330 | 0.013 |
| 92 | $VOPU \times 63/31 - (209 \times VREF6 + 1231 \times VREF7) / 1395$ | 10.344 | 0.013 |
| ⋮ | | | |
| 9D | $VOPU \times 63/31 - (330 \times VREF6 + 1110 \times VREF7) / 1395$ | 10.495 | 0.013 |
| 9E | $VOPU \times 63/31 - (341 \times VREF6 + 1099 \times VREF7) / 1395$ | 10.509 | 0.013 |
| 9F | $VOPU \times 63/31 - (352 \times VREF6 + 1088 \times VREF7) / 1395$ | 10.523 | 0.016 |

■ Functional Description (continued)

• Table 1 (continued) Relationship between VREF Voltages and Analog Output Voltages (High-level side) (Values are examples)

VREF5 = 9.200, VREF6 = 10.635, VREF7 = 12.380, VREF8 = 13.854, VREF9 = 14.630, VOPU = 11.250

| Display data | Logical expression | Voltage level | Voltage level difference |
|--------------|--|---------------|--------------------------|
| A0 | $VOPU \times 63/31 - (365 \times VREF6 + 1075 \times VREF7) / 1395$ | 10.539 | 0.016 |
| A1 | $VOPU \times 63/31 - (378 \times VREF6 + 1062 \times VREF7) / 1395$ | 10.556 | 0.016 |
| A2 | $VOPU \times 63/31 - (391 \times VREF6 + 1049 \times VREF7) / 1395$ | 10.572 | 0.016 |
| ⋮ | | | |
| AD | $VOPU \times 63/31 - (534 \times VREF6 + 906 \times VREF7) / 1395$ | 10.751 | 0.016 |
| AE | $VOPU \times 63/31 - (547 \times VREF6 + 893 \times VREF7) / 1395$ | 10.767 | 0.016 |
| AF | $VOPU \times 63/31 - (560 \times VREF6 + 880 \times VREF7) / 1395$ | 10.783 | 0.016 |
| B0 | $VOPU \times 63/31 - (573 \times VREF6 + 867 \times VREF7) / 1395$ | 10.800 | 0.016 |
| B1 | $VOPU \times 63/31 - (586 \times VREF6 + 854 \times VREF7) / 1395$ | 10.816 | 0.016 |
| B2 | $VOPU \times 63/31 - (599 \times VREF6 + 841 \times VREF7) / 1395$ | 10.832 | 0.016 |
| ⋮ | | | |
| BD | $VOPU \times 63/31 - (742 \times VREF6 + 698 \times VREF7) / 1395$ | 11.011 | 0.016 |
| BE | $VOPU \times 63/31 - (755 \times VREF6 + 685 \times VREF7) / 1395$ | 11.027 | 0.016 |
| BF | $VOPU \times 63/31 - (768 \times VREF6 + 672 \times VREF7) / 1395$ | 11.043 | 0.022 |
| C0 | $VOPU \times 63/31 - (786 \times VREF6 + 654 \times VREF7) / 1395$ | 11.066 | 0.022 |
| C1 | $VOPU \times 63/31 - (804 \times VREF6 + 636 \times VREF7) / 1395$ | 11.089 | 0.022 |
| C2 | $VOPU \times 63/31 - (822 \times VREF6 + 618 \times VREF7) / 1395$ | 11.111 | 0.022 |
| ⋮ | | | |
| CD | $VOPU \times 63/31 - (1020 \times VREF6 + 420 \times VREF7) / 1395$ | 11.359 | 0.022 |
| CE | $VOPU \times 63/31 - (1038 \times VREF6 + 402 \times VREF7) / 1395$ | 11.381 | 0.022 |
| CF | $VOPU \times 63/31 - (1056 \times VREF6 + 384 \times VREF7) / 1395$ | 11.404 | 0.030 |
| D0 | $VOPU \times 63/31 - (1080 \times VREF6 + 360 \times VREF7) / 1395$ | 11.434 | 0.030 |
| D1 | $VOPU \times 63/31 - (1104 \times VREF6 + 336 \times VREF7) / 1395$ | 11.464 | 0.030 |
| D2 | $VOPU \times 63/31 - (1128 \times VREF6 + 312 \times VREF7) / 1395$ | 11.494 | 0.030 |
| ⋮ | | | |
| DD | $VOPU \times 63/31 - (1392 \times VREF6 + 48 \times VREF7) / 1395$ | 11.824 | 0.030 |
| DE | $VOPU \times 63/31 - (1416 \times VREF6 + 24 \times VREF7) / 1395$ | 11.854 | 0.030 |
| DF | $VOPU \times 63/31 - (1440 \times VREF6 + 0 \times VREF7) / 1395$ | 11.884 | 0.041 |
| E0 | $VOPU \times 63/31 - (66 \times VREF5 + 2302 \times VREF6) / 2294$ | 11.926 | 0.041 |
| E1 | $VOPU \times 63/31 - (132 \times VREF5 + 2236 \times VREF6) / 2294$ | 11.967 | 0.041 |
| E2 | $VOPU \times 63/31 - (198 \times VREF5 + 2170 \times VREF6) / 2294$ | 12.008 | 0.041 |
| ⋮ | | | |
| ED | $VOPU \times 63/31 - (924 \times VREF5 + 1444 \times VREF6) / 2294$ | 12.462 | 0.041 |
| EE | $VOPU \times 63/31 - (990 \times VREF5 + 1378 \times VREF6) / 2294$ | 12.504 | 0.041 |
| EF | $VOPU \times 63/31 - (1056 \times VREF5 + 1312 \times VREF6) / 2294$ | 12.545 | 0.051 |

■ Functional Description (continued)

- Table 1 (continued) Relationship between VREF Voltages and Analog Output Voltages (High-level side) (Values are examples)
VREF5 = 9.200, VREF6 = 10.635, VREF7 = 12.380, VREF8 = 13.854, VREF9 = 14.630, VOPU = 11.250

| Display data | Logical expression | Voltage level | Voltage level difference |
|--------------|--|---------------|--------------------------|
| F0 | $VOPU \times 63/31 - (1138 \times VREF5 + 1230 \times VREF6) / 2294$ | 12.596 | 0.051 |
| F1 | $VOPU \times 63/31 - (1220 \times VREF5 + 1148 \times VREF6) / 2294$ | 12.647 | 0.051 |
| F2 | $VOPU \times 63/31 - (1302 \times VREF5 + 1066 \times VREF6) / 2294$ | 12.699 | 0.051 |
| ⋮ | | | |
| FD | $VOPU \times 63/31 - (2204 \times VREF5 + 164 \times VREF6) / 2294$ | 13.263 | 0.051 |
| FE | $VOPU \times 63/31 - (2286 \times VREF5 + 82 \times VREF6) / 2294$ | 13.314 | 0.051 |
| FF | $VOPU \times 63/31 - (2368 \times VREF5 + 0 \times VREF6) / 2294$ | 13.366 | |

- Table 2 Relationship between VREF Voltages and Analog Output Voltages (Low-level side) (Values are examples)
VREF0 = 1.760, VREF1 = 2.536, VREF2 = 4.010, VREF3 = 5.755, VREF4 = 7.190, VOPL = 3.750

| Display data | Logical expression | Voltage level | Voltage level difference |
|--------------|---|---------------|--------------------------|
| 00 | $VOPL \times 63/31 - (42 \times VREF1 + 1238 \times VREF0) / 1240$ | 5.777 | 0.026 |
| 01 | $VOPL \times 63/31 - (84 \times VREF1 + 1196 \times VREF0) / 1240$ | 5.751 | 0.026 |
| 02 | $VOPL \times 63/31 - (126 \times VREF1 + 1154 \times VREF0) / 1240$ | 5.725 | 0.026 |
| ⋮ | | | |
| 0D | $VOPL \times 63/31 - (588 \times VREF1 + 692 \times VREF0) / 1240$ | 5.436 | 0.026 |
| 0E | $VOPL \times 63/31 - (630 \times VREF1 + 650 \times VREF0) / 1240$ | 5.410 | 0.026 |
| 0F | $VOPL \times 63/31 - (672 \times VREF1 + 608 \times VREF0) / 1240$ | 5.383 | 0.023 |
| 10 | $VOPL \times 63/31 - (710 \times VREF1 + 570 \times VREF0) / 1240$ | 5.360 | 0.023 |
| 11 | $VOPL \times 63/31 - (748 \times VREF1 + 532 \times VREF0) / 1240$ | 5.336 | 0.023 |
| 12 | $VOPL \times 63/31 - (786 \times VREF1 + 494 \times VREF0) / 1240$ | 5.312 | 0.023 |
| ⋮ | | | |
| 1D | $VOPL \times 63/31 - (1204 \times VREF1 + 76 \times VREF0) / 1240$ | 5.051 | 0.023 |
| 1E | $VOPL \times 63/31 - (1242 \times VREF1 + 38 \times VREF0) / 1240$ | 5.027 | 0.023 |
| 1F | $VOPL \times 63/31 - (1280 \times VREF1 + 0 \times VREF0) / 1240$ | 5.003 | 0.020 |
| 20 | $VOPL \times 63/31 - (32 \times VREF2 + 2400 \times VREF1) / 2356$ | 4.983 | 0.020 |
| 21 | $VOPL \times 63/31 - (64 \times VREF2 + 2368 \times VREF1) / 2356$ | 4.963 | 0.020 |
| 22 | $VOPL \times 63/31 - (96 \times VREF2 + 2336 \times VREF1) / 2356$ | 4.943 | 0.020 |
| ⋮ | | | |
| 2D | $VOPL \times 63/31 - (448 \times VREF2 + 1984 \times VREF1) / 2356$ | 4.723 | 0.020 |
| 2E | $VOPL \times 63/31 - (480 \times VREF2 + 1952 \times VREF1) / 2356$ | 4.703 | 0.020 |
| 2F | $VOPL \times 63/31 - (512 \times VREF2 + 1920 \times VREF1) / 2356$ | 4.683 | 0.016 |

■ Functional Description (continued)

• Table 2 (continued) Relationship between VREF Voltages and Analog Output Voltages (Low-level side) (Values are examples)

VREF0 = 1.760, VREF1 = 2.536, VREF2 = 4.010, VREF3 = 5.755, VREF4 = 7.190, VOPL = 3.750

| Display data | Logical expression | Voltage level | Voltage level difference |
|--------------|--|---------------|--------------------------|
| 30 | $VOPL \times 63/31 - (538 \times VREF2 + 1894 \times VREF1) / 2356$ | 4.666 | 0.016 |
| 31 | $VOPL \times 63/31 - (564 \times VREF2 + 1868 \times VREF1) / 2356$ | 4.650 | 0.016 |
| 32 | $VOPL \times 63/31 - (590 \times VREF2 + 1842 \times VREF1) / 2356$ | 4.634 | 0.016 |
| ⋮ | | | |
| 3D | $VOPL \times 63/31 - (876 \times VREF2 + 1556 \times VREF1) / 2356$ | 4.455 | 0.016 |
| 3E | $VOPL \times 63/31 - (902 \times VREF2 + 1530 \times VREF1) / 2356$ | 4.439 | 0.016 |
| 3F | $VOPL \times 63/31 - (928 \times VREF2 + 1504 \times VREF1) / 2356$ | 4.422 | 0.015 |
| 40 | $VOPL \times 63/31 - (953 \times VREF2 + 1479 \times VREF1) / 2356$ | 4.407 | 0.015 |
| 41 | $VOPL \times 63/31 - (978 \times VREF2 + 1454 \times VREF1) / 2356$ | 4.391 | 0.015 |
| 42 | $VOPL \times 63/31 - (1003 \times VREF2 + 1429 \times VREF1) / 2356$ | 4.376 | 0.015 |
| ⋮ | | | |
| 4D | $VOPL \times 63/31 - (1278 \times VREF2 + 1154 \times VREF1) / 2356$ | 4.203 | 0.015 |
| 4E | $VOPL \times 63/31 - (1303 \times VREF2 + 1129 \times VREF1) / 2356$ | 4.188 | 0.015 |
| 4F | $VOPL \times 63/31 - (1328 \times VREF2 + 1104 \times VREF1) / 2356$ | 4.172 | 0.015 |
| 50 | $VOPL \times 63/31 - (1353 \times VREF2 + 1079 \times VREF1) / 2356$ | 4.157 | 0.015 |
| 51 | $VOPL \times 63/31 - (1378 \times VREF2 + 1054 \times VREF1) / 2356$ | 4.141 | 0.015 |
| 52 | $VOPL \times 63/31 - (1403 \times VREF2 + 1029 \times VREF1) / 2356$ | 4.125 | 0.015 |
| ⋮ | | | |
| 5D | $VOPL \times 63/31 - (1678 \times VREF2 + 754 \times VREF1) / 2356$ | 3.953 | 0.015 |
| 5E | $VOPL \times 63/31 - (1703 \times VREF2 + 729 \times VREF1) / 2356$ | 3.938 | 0.015 |
| 5F | $VOPL \times 63/31 - (1728 \times VREF2 + 704 \times VREF1) / 2356$ | 3.922 | 0.013 |
| 60 | $VOPL \times 63/31 - (1750 \times VREF2 + 682 \times VREF1) / 2356$ | 3.908 | 0.013 |
| 61 | $VOPL \times 63/31 - (1772 \times VREF2 + 660 \times VREF1) / 2356$ | 3.894 | 0.013 |
| 62 | $VOPL \times 63/31 - (1794 \times VREF2 + 638 \times VREF1) / 2356$ | 3.881 | 0.013 |
| ⋮ | | | |
| 6D | $VOPL \times 63/31 - (2036 \times VREF2 + 396 \times VREF1) / 2356$ | 3.729 | 0.013 |
| 6E | $VOPL \times 63/31 - (2058 \times VREF2 + 374 \times VREF1) / 2356$ | 3.716 | 0.013 |
| 6F | $VOPL \times 63/31 - (2080 \times VREF2 + 352 \times VREF1) / 2356$ | 3.702 | 0.013 |
| 70 | $VOPL \times 63/31 - (2102 \times VREF2 + 330 \times VREF1) / 2356$ | 3.688 | 0.013 |
| 71 | $VOPL \times 63/31 - (2124 \times VREF2 + 308 \times VREF1) / 2356$ | 3.674 | 0.013 |
| 72 | $VOPL \times 63/31 - (2146 \times VREF2 + 286 \times VREF1) / 2356$ | 3.660 | 0.013 |
| ⋮ | | | |
| 7D | $VOPL \times 63/31 - (2388 \times VREF2 + 44 \times VREF1) / 2356$ | 3.509 | 0.013 |
| 7E | $VOPL \times 63/31 - (2410 \times VREF2 + 22 \times VREF1) / 2356$ | 3.495 | 0.013 |
| 7F | $VOPL \times 63/31 - (2432 \times VREF2 + 0 \times VREF1) / 2356$ | 3.482 | 0.013 |

■ Functional Description (continued)

- Table 2 (continued) Relationship between VREF Voltages and Analog Output Voltages (Low-level side) (Values are examples)

VREF0 = 1.760, VREF1 = 2.536, VREF2 = 4.010, VREF3 = 5.755, VREF4 = 7.190, VOPL = 3.750

| Display data | Logical expression | Voltage level | Voltage level difference |
|--------------|---|---------------|--------------------------|
| 80 | $VOPL \times 63/31 - (11 \times VREF3 + 1429 \times VREF2) / 1395$ | 3.468 | 0.013 |
| 81 | $VOPL \times 63/31 - (22 \times VREF3 + 1418 \times VREF2) / 1395$ | 3.454 | 0.013 |
| 82 | $VOPL \times 63/31 - (33 \times VREF3 + 1407 \times VREF2) / 1395$ | 3.440 | 0.013 |
| ⋮ | | | |
| 8D | $VOPL \times 63/31 - (154 \times VREF3 + 1286 \times VREF2) / 1395$ | 3.289 | 0.013 |
| 8E | $VOPL \times 63/31 - (165 \times VREF3 + 1275 \times VREF2) / 1395$ | 3.275 | 0.013 |
| 8F | $VOPL \times 63/31 - (176 \times VREF3 + 1264 \times VREF2) / 1395$ | 3.261 | 0.013 |
| 90 | $VOPL \times 63/31 - (187 \times VREF3 + 1253 \times VREF2) / 1395$ | 3.248 | 0.013 |
| 91 | $VOPL \times 63/31 - (198 \times VREF3 + 1242 \times VREF2) / 1395$ | 3.234 | 0.013 |
| 92 | $VOPL \times 63/31 - (209 \times VREF3 + 1231 \times VREF2) / 1395$ | 3.220 | 0.013 |
| ⋮ | | | |
| 9D | $VOPL \times 63/31 - (330 \times VREF3 + 1110 \times VREF2) / 1395$ | 3.069 | 0.013 |
| 9E | $VOPL \times 63/31 - (341 \times VREF3 + 1099 \times VREF2) / 1395$ | 3.055 | 0.013 |
| 9F | $VOPL \times 63/31 - (352 \times VREF3 + 1088 \times VREF2) / 1395$ | 3.041 | 0.016 |
| A0 | $VOPL \times 63/31 - (365 \times VREF3 + 1075 \times VREF2) / 1395$ | 3.025 | 0.016 |
| A1 | $VOPL \times 63/31 - (378 \times VREF3 + 1062 \times VREF2) / 1395$ | 3.009 | 0.016 |
| A2 | $VOPL \times 63/31 - (391 \times VREF3 + 1049 \times VREF2) / 1395$ | 2.992 | 0.016 |
| ⋮ | | | |
| AD | $VOPL \times 63/31 - (534 \times VREF3 + 906 \times VREF2) / 1395$ | 2.813 | 0.016 |
| AE | $VOPL \times 63/31 - (547 \times VREF3 + 893 \times VREF2) / 1395$ | 2.797 | 0.016 |
| AF | $VOPL \times 63/31 - (560 \times VREF3 + 880 \times VREF2) / 1395$ | 2.781 | 0.016 |
| B0 | $VOPL \times 63/31 - (573 \times VREF3 + 867 \times VREF2) / 1395$ | 2.765 | 0.016 |
| B1 | $VOPL \times 63/31 - (586 \times VREF3 + 854 \times VREF2) / 1395$ | 2.748 | 0.016 |
| B2 | $VOPL \times 63/31 - (599 \times VREF3 + 841 \times VREF2) / 1395$ | 2.732 | 0.016 |
| ⋮ | | | |
| BD | $VOPL \times 63/31 - (742 \times VREF3 + 698 \times VREF2) / 1395$ | 2.553 | 0.016 |
| BE | $VOPL \times 63/31 - (755 \times VREF3 + 685 \times VREF2) / 1395$ | 2.537 | 0.016 |
| BF | $VOPL \times 63/31 - (768 \times VREF3 + 672 \times VREF2) / 1395$ | 2.521 | 0.022 |
| C0 | $VOPL \times 63/31 - (786 \times VREF3 + 654 \times VREF2) / 1395$ | 2.498 | 0.022 |
| C1 | $VOPL \times 63/31 - (804 \times VREF3 + 636 \times VREF2) / 1395$ | 2.476 | 0.022 |
| C2 | $VOPL \times 63/31 - (822 \times VREF3 + 618 \times VREF2) / 1395$ | 2.453 | 0.022 |
| ⋮ | | | |
| CD | $VOPL \times 63/31 - (1020 \times VREF3 + 420 \times VREF2) / 1395$ | 2.205 | 0.022 |
| CE | $VOPL \times 63/31 - (1038 \times VREF3 + 402 \times VREF2) / 1395$ | 2.183 | 0.022 |
| CF | $VOPL \times 63/31 - (1056 \times VREF3 + 384 \times VREF2) / 1395$ | 2.160 | 0.030 |

■ Functional Description (continued)

- Table 2 (continued) Relationship between VREF Voltages and Analog Output Voltages (Low-level side) (Values are examples)

VREF0 = 1.760, VREF1 = 2.536, VREF2 = 4.010, VREF3 = 5.755, VREF4 = 7.190, VOPL = 3.750

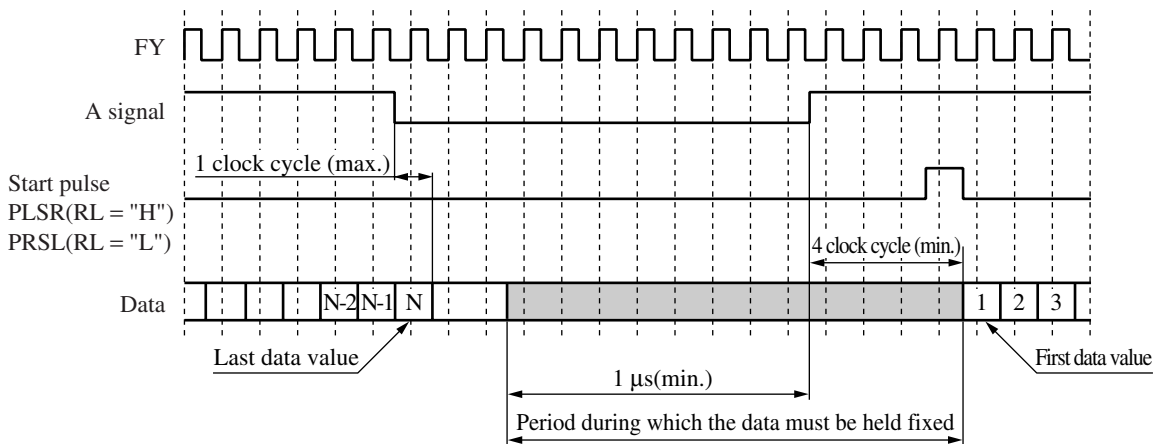
| Display data | Logical expression | Voltage level | Voltage level difference |
|--------------|--|---------------|--------------------------|
| D0 | $VOPL \times 63/31 - (1080 \times VREF3 + 360 \times VREF2) / 1395$ | 2.130 | 0.030 |
| D1 | $VOPL \times 63/31 - (1104 \times VREF3 + 336 \times VREF2) / 1395$ | 2.100 | 0.030 |
| D2 | $VOPL \times 63/31 - (1128 \times VREF3 + 312 \times VREF2) / 1395$ | 2.070 | 0.030 |
| ⋮ | | | |
| DD | $VOPL \times 63/31 - (1392 \times VREF3 + 48 \times VREF2) / 1395$ | 1.740 | 0.030 |
| DE | $VOPL \times 63/31 - (1416 \times VREF3 + 24 \times VREF2) / 1395$ | 1.710 | 0.030 |
| DF | $VOPL \times 63/31 - (1440 \times VREF3 + 0 \times VREF2) / 1395$ | 1.680 | 0.041 |
| E0 | $VOPL \times 63/31 - (66 \times VREF4 + 2302 \times VREF3) / 2294$ | 1.639 | 0.041 |
| E1 | $VOPL \times 63/31 - (132 \times VREF4 + 2236 \times VREF3) / 2294$ | 1.597 | 0.041 |
| E2 | $VOPL \times 63/31 - (198 \times VREF4 + 2170 \times VREF3) / 2294$ | 1.556 | 0.041 |
| ⋮ | | | |
| ED | $VOPL \times 63/31 - (924 \times VREF4 + 1444 \times VREF3) / 2294$ | 1.102 | 0.041 |
| EE | $VOPL \times 63/31 - (990 \times VREF4 + 1378 \times VREF3) / 2294$ | 1.061 | 0.041 |
| EF | $VOPL \times 63/31 - (1056 \times VREF4 + 1312 \times VREF3) / 2294$ | 1.019 | 0.051 |
| F0 | $VOPL \times 63/31 - (1138 \times VREF4 + 1230 \times VREF3) / 2294$ | 0.968 | 0.051 |
| F1 | $VOPL \times 63/31 - (1220 \times VREF4 + 1148 \times VREF3) / 2294$ | 0.917 | 0.051 |
| F2 | $VOPL \times 63/31 - (1302 \times VREF4 + 1066 \times VREF3) / 2294$ | 0.865 | 0.051 |
| ⋮ | | | |
| FD | $VOPL \times 63/31 - (2204 \times VREF4 + 164 \times VREF3) / 2294$ | 0.301 | 0.051 |
| FE | $VOPL \times 63/31 - (2286 \times VREF4 + 82 \times VREF3) / 2294$ | 0.250 | 0.051 |
| FF | $VOPL \times 63/31 - (2368 \times VREF4 + 0 \times VREF3) / 2294$ | 0.199 | |

■ Functional Description (continued)

- Relationship between the A signal, the image input timing, and the start pulse

The figure below shows the relationship between the A signal, the image data input timing, and the start pulse.

The last data of the image should be input within one clock cycle of the fall of the A signal. Data input two or more clock cycles later will not be transmitted to the analog outputs and the IC will not be able to output the correct analog voltage. And also hold the levels of the data bus fixed from 1 μ s before the rise of the A signal until 4 clock cycles after the rise of the A signal. The output analog voltages may be displaced or shifted if the data bus levels are changed with that timing.



■ Functional Description (continued)

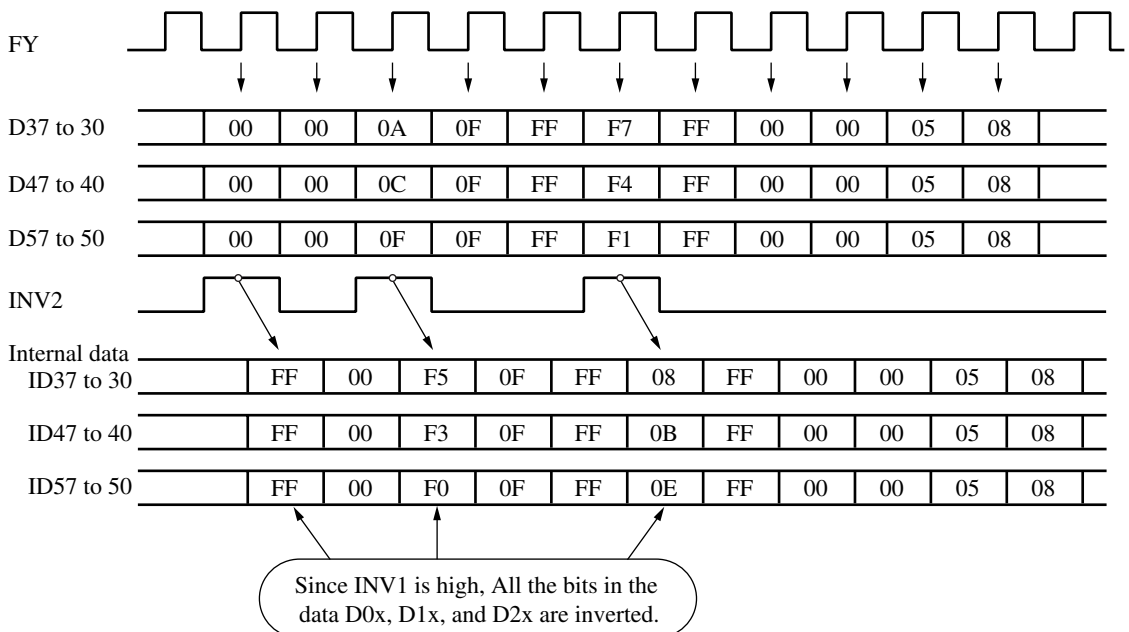
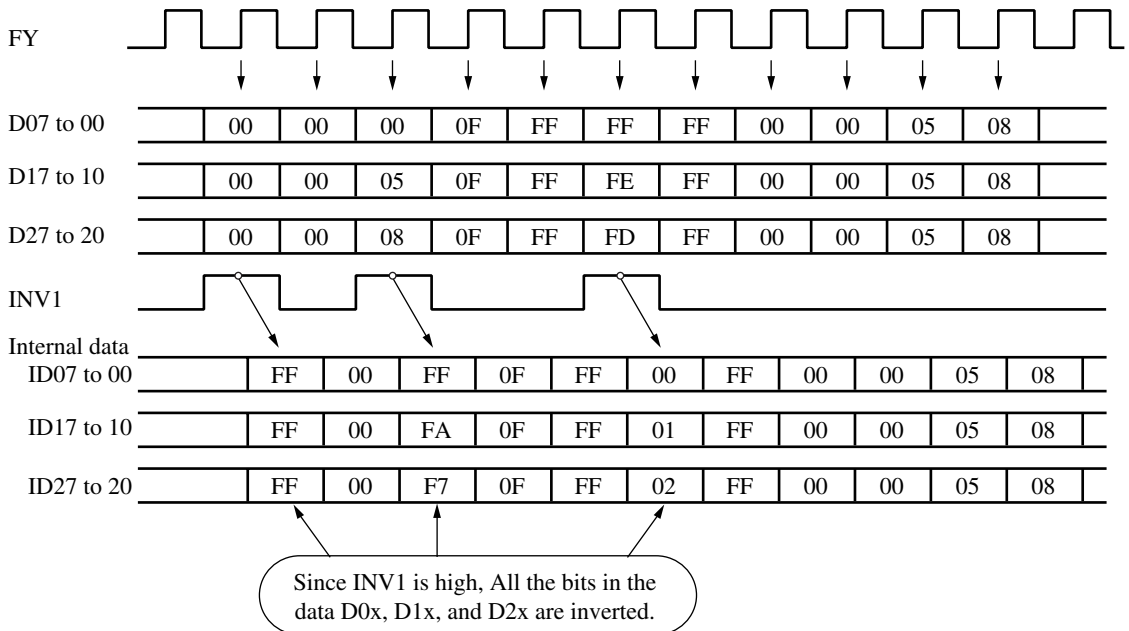
• Data inversion control function

All the bits in the input image data can be inverted at the same time, thus creating new data values to be used by controlling the INV1 and INV2 pins.

INV1 inverts the D0(7:0), D1(7:0), and D2(7:0) data and INV2 inverts the D3(7:0), D4(7:0), and D5(7:0) data.

The figure below shows the inversion control provided by INV1 and INV2 for the input image data.

The input image data and the INV1 and INV2 states are acquired on the same clock cycle, and the data is controlled by the INV1 and INV2 logic states at that time.



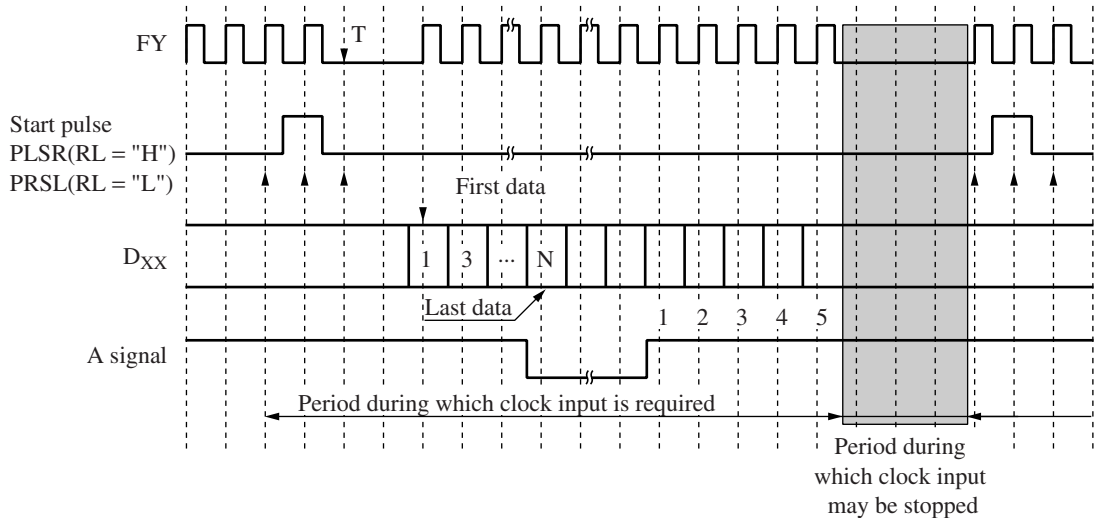
■ Functional Description (continued)

- Possible periods of the clock stop

The possible periods of the clock stop in which clock has been stopped are shown below.

The clock signal must be provided during the period starting one clock cycle before the start pulse input and ending 5 clock cycles after the rise of the A signal.

However, if it is not the case that the first data is input with the next clock timing (T) after the input of the start pulse, the clock may be stopped during the period between the start pulse input and the start of data input. The clock signal may be stopped at either the high or low level.



■ Electrical Characteristics

1. Absolute Maximum Ratings at A_{VSS} = 0 V, D_{VSS} = 0 V

| Parameter | Symbol | Rating | Unit |
|-------------------------------|------------------|--------------------------------|------|
| Digital system supply voltage | D _{VDD} | - 0.3 to +7.0 | V |
| Analog system supply voltage | A _{VDD} | - 0.3 to +17 | V |
| Digital input voltage | V _{I1} | - 0.3 to D _{VDD} +0.3 | V |
| Analog input voltage | V _{I2} | - 0.3 to A _{VDD} +0.3 | V |
| Digital output voltage | V _{O1} | - 0.3 to D _{VDD} +0.3 | V |
| Analog output voltage | V _{O2} | - 0.3 to A _{VDD} +0.3 | V |
| Operating temperature | T _{opr} | -20 to +75 | °C |
| Storage temperature | T _{stg} | -40 to +110 | °C |

Note) The absolute maximum ratings are limiting values under which the device will not be destroyed. Operation is not guaranteed within these ranges.

■ Electrical Characteristics (continued)

2. Operating Conditions at $A_{VSS} = D_{VSS} = 0\text{ V}$, $T_a = -20\text{ °C}$ to $+75\text{ °C}$

| Parameter | Symbol | Conditions | Min | Typ | Max | Unit |
|---|------------------------|--|----------------------------|-----|----------------------------|------------|
| Operating digital system supply voltage | D_{VDD} | $f_{FY\text{ max}} = 50\text{ MHz}$ | 3.1 | — | 3.6 | V |
| | | $f_{FY\text{ max}} = 40\text{ MHz}$ | 2.7 | — | 3.6 | |
| Operating analog system supply voltage | A_{VDD} | | 14.5 | — | 15.5 | V |
| γ correction voltage input voltage range | $V_{REF0\text{ to }4}$ | | 0.2 | — | $A_{VDD}/2$ | V |
| | $V_{REF5\text{ to }9}$ | | $A_{VDD}/2$ | — | $A_{VDD}-0.2$ | |
| Operating frequency | | $D_{VDD} = 3.1\text{ V to }3.6\text{ V}$ | — | — | 50 | MHz |
| | | $D_{VDD} = 2.7\text{ V to }3.6\text{ V}$ | — | — | 40 | |
| Digital signal input capacitance | C_{IN} | At 1 MHz | — | 5 | — | pF |
| γ correction voltage input capacitance | C_{VREF} | At 1 MHz | — | 500 | — | pF |
| VOPL input voltage range | | | $A_{VDD}/4 - 0.2$ | — | $A_{VDD}/4 + 0.2$ | V |
| VOPU input voltage range | | | $A_{VDD} \times 3/4 - 0.2$ | — | $A_{VDD} \times 3/4 + 0.2$ | V |
| VREF resistance VREF9 to 5, VREF4 to 0 | R_{VREF} | | — | 14 | — | k Ω |

Note) 1. All the A_{VDD} power supply pins must be connected to each other directly.

2. All the A_{VSS} and D_{VSS} power supply pins must be connected to each other directly.

3. When first applying power, first apply the D_{VDD} voltage, then apply the logic input pin signal levels, and then apply the A_{VDD} voltage. After that apply the VOP and VREF reference voltages. When cutting the power, remove these voltages in the reverse order.

3. DC Characteristics at $D_{VDD} = 2.7\text{ V to }3.6\text{ V}$, $A_{VDD} = 14.5\text{ V to }15.5\text{ V}$, $A_{VSS} = D_{VSS} = 0\text{ V}$, $T_a = -20\text{ °C}$ to $+75\text{ °C}$

| Parameter | Symbol | Conditions | Min | Typ | Max | Unit |
|--|-----------|--|-----|-----|-----|---------------|
| Operating analog supply current 1 *1,3 | I_{SS1} | | — | 39 | 45 | mA |
| Operating analog supply current 2 | I_{SS2} | $A_{VDD} = 15\text{ V}$ *1,3 With no load | — | 11 | — | mA |
| Operating digital supply current *1,2 | I_{SS3} | | — | 2 | 8 | mA |
| Digital quiescent supply current | I_{SS4} | In the clock stopped state | — | — | 100 | μA |

1) Input pins RL, A, D00 to D07, D10 to D17, D20 to D27, D30 to D37, D40 to D47, D50 to D57, FY, POL, INV1, INV2

| | | | | | | |
|--------------------------|-----------|--|----------------------|---|----------------------|---------------|
| High-level input voltage | V_{IH1} | | $0.7 \times D_{VDD}$ | — | D_{VDD} | V |
| Low-level input voltage | V_{IL1} | | 0 | — | $0.3 \times D_{VDD}$ | V |
| Input leakage current | I_{LI1} | | -10 | — | 10 | μA |

2) I/O pins PRSL, PLSR

| | | | | | | |
|---------------------------|-----------|---|----------------------|---|----------------------|---------------|
| High-level input voltage | V_{IH2} | | $0.7 \times D_{VDD}$ | — | D_{VDD} | V |
| Low-level input voltage | V_{IL2} | | 0 | — | $0.3 \times D_{VDD}$ | V |
| High-level output voltage | V_{OH} | $D_{VDD} = 3.3\text{ V}$, $I_O = -5\text{ mA}$ | $0.7 \times D_{VDD}$ | — | — | V |
| Low-level output voltage | V_{OL} | $D_{VDD} = 3.3\text{ V}$, $I_O = 2\text{ mA}$ | — | — | $0.3 \times D_{VDD}$ | V |
| Input leakage current | I_{LI2} | | -10 | — | 10 | μA |

■ Electrical Characteristics (continued)

3. DC Characteristics at $D_{VDD} = 2.7\text{ V to }3.6\text{ V}$, $A_{VDD} = 14.5\text{ V to }15.5\text{ V}$, $A_{VSS} = D_{VSS} = 0\text{ V}$, $T_a = -20\text{ }^\circ\text{C to }+75\text{ }^\circ\text{C}$ (continued)

| Parameter | Symbol | Conditions | Min | Typ | Max | Unit |
|-----------|--------|------------|-----|-----|-----|------|
|-----------|--------|------------|-----|-----|-----|------|

3) Pull-down resistor pin TEST

| | | | | | | |
|--------------------------|-----------|--|----------------------|-----|----------------------|---------------|
| High-level input voltage | V_{IH3} | | $0.7 \times D_{VDD}$ | — | D_{VDD} | V |
| Low-level input voltage | V_{IL3} | | 0 | — | $0.3 \times D_{VDD}$ | V |
| Input leakage current | I_{LI3} | | -10 | — | 10 | μA |
| Pull-down resistance | R_{PD} | | 40 | 100 | 350 | k Ω |

4) Reference voltage input pins VOPU, VOPL

| | | | | | | |
|---------------|-----------|--|------|---|-----|---------------|
| Input current | I_{VOP} | | -100 | — | 100 | μA |
|---------------|-----------|--|------|---|-----|---------------|

5) Analog output pins Y1 to Y384

| | | | | | | |
|------------------------------|--------------|---|-----|---------|----------|----|
| Output current *4 | I_{VOH} | $V_X = 15\text{ V}$, $V_{OUT} = 14\text{ V}$, $A_{VDD} = 15\text{ V}$, $D_{VDD} = 3.3\text{ V}$ | — | -0.5 | -0.2 | mA |
| | I_{VOL} | $V_X = 0.0\text{ V}$, $V_{OUT} = 1.0\text{ V}$, $A_{VDD} = 15\text{ V}$, $D_{VDD} = 3.3\text{ V}$ | 0.2 | 0.5 | — | |
| Output voltage difference *5 | ΔV_O | $A_{VDD} = 15\text{ V}$, $D_{VDD} = 3.3\text{ V}$ | — | ± 4 | ± 20 | mV |

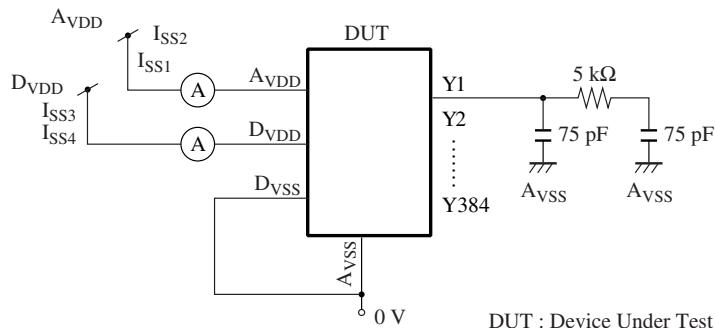
6) Analog output pin (Y1 to Y384) output voltage range

| | | | | | | |
|----------------------------|-------|--|-----------------|---|-----------------|---|
| Operating voltage range *6 | V_O | | $A_{VSS} + 0.2$ | — | $A_{VDD} - 0.2$ | V |
|----------------------------|-------|--|-----------------|---|-----------------|---|

Note) 1. *1: The standard conditions are as follows. A clock frequency of 50 MHz, a raster period of 15 μs , the data pattern fixed at FF, the POL level switched between high and low at each raster period, INV1 and INV2 held fixed at the low level, and each of VREF0 to VREF9 held fixed at its respective levels.

*2: The maximum conditions are as follows. A clock frequency of 50 MHz, a raster period of 15 μs , the data pattern switches between FF and 00 on each clock cycle, the POL level switched between high and low at each raster period, INV1 and INV2 held fixed at the low level, and each of VREF0 to VREF9 held fixed at its respective levels.

*3: The loads on the analog output pins (Y1 to Y384) are shown below. The values of the components in the load circuit are subject to change.



*4: The V_X are the output voltages from the analog output pins Y1 to Y384.

The V_{OUT} are the voltages applied to the analog output pins Y1 to Y384.

*5: The standard conditions apply when the output voltages are at the same voltage as VOPL and VOPU.

*6: Set up VREF0 to VREF9, VOPU, and VOPL so that the output voltages never exceed the output voltage range listed above.

2. The following formula expresses the power dissipation when the loads described in *3 above are attached.

$$I_{SS1} \times A_{VDD} + I_{SS3} \times D_{VDD}$$

Replace ISS1 in the above formula with the value of ISS2 to calculate the power dissipation when there is no load.

3. The supply current in the no load state is provided for reference purposes and is not guaranteed.

■ Electrical Characteristics (continued)

4. AC Characteristics at $D_{VDD} = 2.7 \text{ V to } 3.6 \text{ V}$, $A_{VDD} = 14.5 \text{ V to } 15.5 \text{ V}$, $A_{VSS} = D_{VSS} = 0 \text{ V}$, $T_a = -20 \text{ }^\circ\text{C to } +75 \text{ }^\circ\text{C}$

| Parameter | Symbol | Conditions | Min | Typ | Max | Unit |
|---|-----------|--|-----|-----|-----|---------------|
| FY period | t_p | $D_{VDD} = 3.1 \text{ V to } 3.6 \text{ V}$ | 20 | — | — | ns |
| | | $D_{VDD} = 2.7 \text{ V to } 3.6 \text{ V}$ | 25 | — | — | |
| Clock high-level period | t_{weH} | | 4 | — | — | ns |
| Clock low-level period | t_{weL} | | 4 | — | — | ns |
| Data and INV setup time | t_{st1} | | 0 | — | — | ns |
| Data and INV hold time | t_{hd1} | | 4 | — | — | ns |
| Start pulse setup time | t_{st2} | | 0 | — | — | ns |
| Start pulse hold time | t_{hd2} | | 4 | — | — | ns |
| Start pulse low-level period | t_{wsL} | | 2 | — | — | Clock cycles |
| Start pulse high-level period | t_{wsH} | | 1 | — | — | Clock cycles |
| Carry signal delay time | t_{d1} | $CL = 15 \text{ pF}$, $D_{VDD} = 3.1 \text{ V to } 3.6 \text{ V}$ | — | — | 13 | ns |
| | | $CL = 15 \text{ pF}$, $D_{VDD} = 2.7 \text{ V to } 3.6 \text{ V}$ | — | — | 17 | |
| Carry signal rise time | t_c | | 64 | | | Clock cycles |
| A signal low-level period | t_{wA} | | 2 | — | — | μs |
| A signal start pulse setup time ^{*1} | t_{st3} | | 4 | — | — | Clock cycles |
| Data input invalid time ^{*1} | t_{ng1} | | 1 | | | Clock cycles |
| Last data timing ^{*1} | t_{ng2} | | — | — | 1 | Clock cycles |
| LCD drive signal delay time ^{*2,3} | t_{d2} | $A_{VDD} = 15 \text{ V}$ | — | — | 11 | μs |

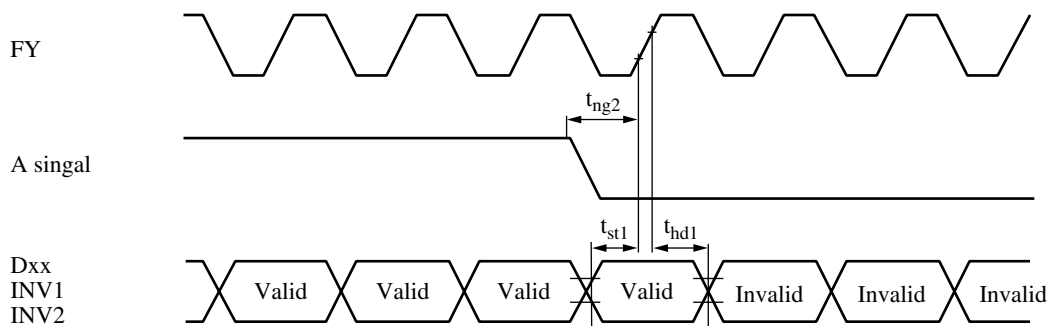
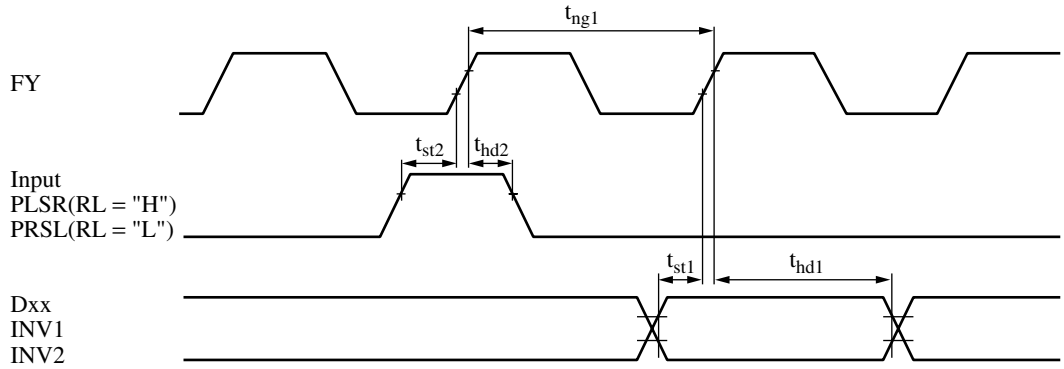
Note) *1: The starting point is at the rise of the first clock cycle after the rise of the PRSL (PLSR) signal.

*2: Stipulated as the value until the drive output voltage reaches the target output voltage $\pm 20 \text{ mV}$ (not including the deviation).

*3: See note 1. *3 in section 3. DC Characteristics for the analog output pin load.

■ Electrical Characteristics (continued)

4. AC Characteristics (continued)



Request for your special attention and precautions in using the technical information and semiconductors described in this material

- (1) An export permit needs to be obtained from the competent authorities of the Japanese Government if any of the products or technologies described in this material and controlled under the "Foreign Exchange and Foreign Trade Law" is to be exported or taken out of Japan.
- (2) The technical information described in this material is limited to showing representative characteristics and applied circuit examples of the products. It does not constitute the warranting of industrial property, the granting of relative rights, or the granting of any license.
- (3) The products described in this material are intended to be used for standard applications or general electronic equipment (such as office equipment, communications equipment, measuring instruments and household appliances).
Consult our sales staff in advance for information on the following applications:
 - Special applications (such as for airplanes, aerospace, automobiles, traffic control equipment, combustion equipment, life support systems and safety devices) in which exceptional quality and reliability are required, or if the failure or malfunction of the products may directly jeopardize life or harm the human body.
 - Any applications other than the standard applications intended.
- (4) The products and product specifications described in this material are subject to change without notice for reasons of modification and/or improvement. At the final stage of your design, purchasing, or use of the products, therefore, ask for the most up-to-date Product Standards in advance to make sure that the latest specifications satisfy your requirements.
- (5) When designing your equipment, comply with the guaranteed values, in particular those of maximum rating, the range of operating power supply voltage and heat radiation characteristics. Otherwise, we will not be liable for any defect which may arise later in your equipment.
Even when the products are used within the guaranteed values, redundant design is recommended, so that such equipment may not violate relevant laws or regulations because of the function of our products.
- (6) When using products for which dry packing is required, observe the conditions (including shelf life and after-unpacking standby time) agreed upon when specification sheets are individually exchanged.
- (7) No part of this material may be reprinted or reproduced by any means without written permission from our company.

Please read the following notes before using the datasheets

- A. These materials are intended as a reference to assist customers with the selection of Panasonic semiconductor products best suited to their applications.
Due to modification or other reasons, any information contained in this material, such as available product types, technical data, and so on, is subject to change without notice.
Customers are advised to contact our semiconductor sales office and obtain the latest information before starting precise technical research and/or purchasing activities.
- B. Panasonic is endeavoring to continually improve the quality and reliability of these materials but there is always the possibility that further rectifications will be required in the future. Therefore, Panasonic will not assume any liability for any damages arising from any errors etc. that may appear in this material.
- C. These materials are solely intended for a customer's individual use.
Therefore, without the prior written approval of Panasonic, any other use such as reproducing, selling, or distributing this material to a third party, via the Internet or in any other way, is prohibited.